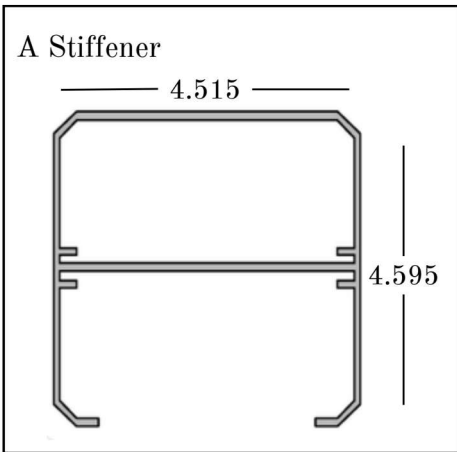
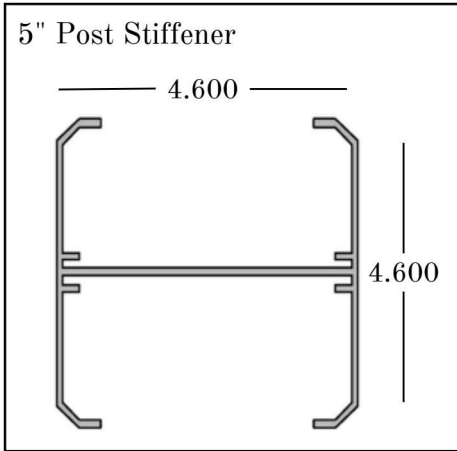
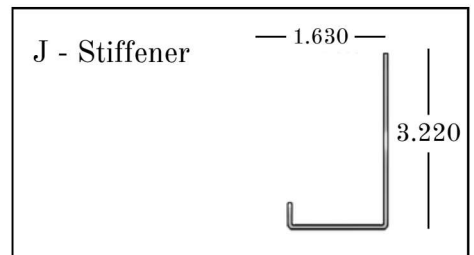
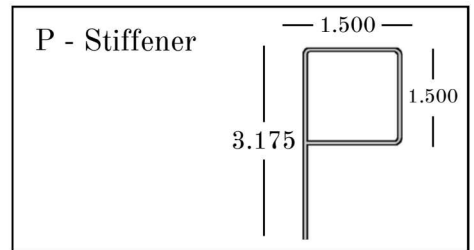
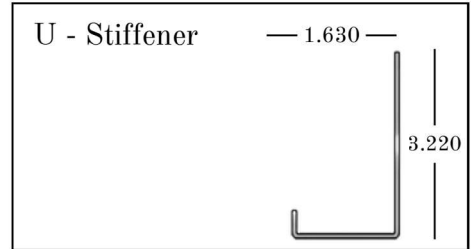
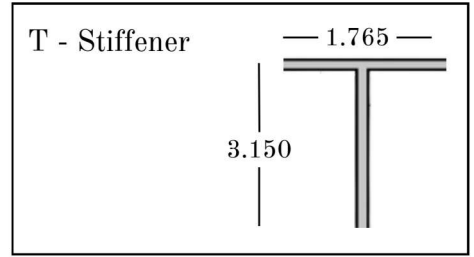
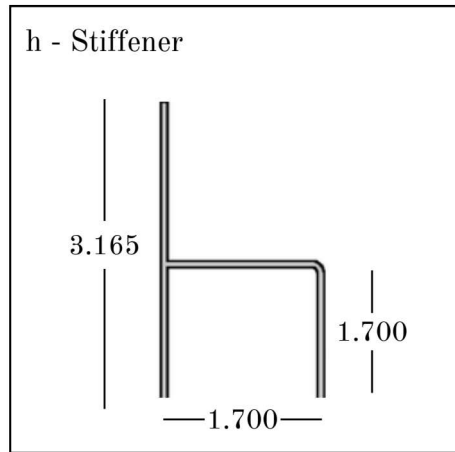
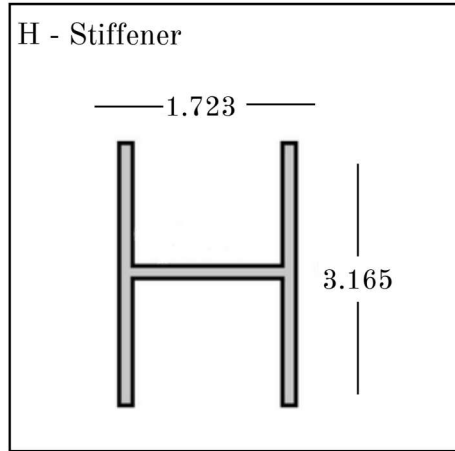


Fencing Custom Inventory

Post Stiffeners



Rail Stiffeners



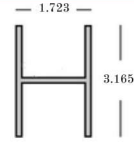
Square Tube (A x B)	Rechtangular Tube
2" x .062 2" x .125 2" x .250 3" x .125 4" x .125 6" x .125	1 x 3"
	Sharp Corner
	1 x 4"
QuikRok	Radius Corner
	1 x 4"





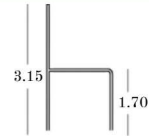
Fence Stiffeners (6063 T6 - MILL FINISH)

H-Stiffeners



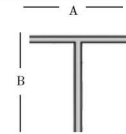
Part Number	Size (A x B x W)	Length(In)	Approx. wt/lin ft
10-80-63-72-H	H-Stiffener 1.723" x 3.165" x .062" wall	72	0.59
11-80-63-94-H	H-Stiffener 1.723" x 3.165" x .062" wall	94	0.59
12-80-63-96-H	H-Stiffener 1.723" x 3.165" x .062" wall	96	0.59
13-80-63-120-H	H-Stiffener 1.723" x 3.165" x .062" wall	120	0.59
14-80-63-192-H	H-Stiffener 1.723" x 3.165" x .062" wall	192	0.59

h-Stiffeners (6063 T6 - MILL FINISH)



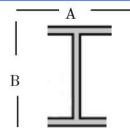
Part Number	Size (A x B x W)	Length(In)	Approx. wt/lin ft
20-81-63-48-h	h-Stiffener w/tabs 1.70" x 3.15" x .060" wall	48	0.412148
21-81-63-72-h	h-Stiffener w/tabs 1.70" x 3.15" x .060" wall	72	0.412148
22-81-63-96-h	h-Stiffener w/tabs 1.70" x 3.15" x .060" wall	96	0.412148

T-Stiffeners (6063 T6 - MILL FINISH)



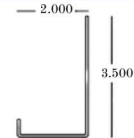
Part Number	Size (A x B x W)	Length(In)	Approx. wt/lin ft
10-82-63-94-T	T-Stiffener 1.765" x 3.15" x .055" wall	94	0.3464
10-82-63-96-T	T-Stiffener 1.765" x 3.15" x .055" wall	96	0.3464

I-Stiffeners (6063 T6 - MILL FINISH)



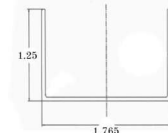
Part Number	Size (A x B x W)	Length(In)	Approx. wt/lin ft
30-80-63-94-I	I-Stiffener 1.770" x 1.850" x .065" wall	94	0.43

J-Stiffeners (6063 T6 - MILL FINISH)



Part Number	Size (A x B x W)	Length(In)	Approx. wt/lin ft
82-63-48	2" x 3.5" x .055 wall	48	.328

U-Stiffeners (6063 T6 - MILL FINISH)



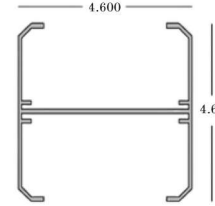
Part Number	Size (A x B x W)	Length(In)	Approx. wt/lin ft
81-63-94	1.765" x 1.25" x .050" wall	94	.247

Available for Mill Order



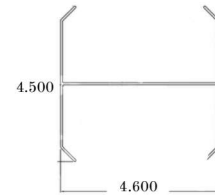
Post Stiffeners (6063 T6 - MILL FINISH)

5" H-Post Stiffeners (6063 T6 - MILL FINISH)



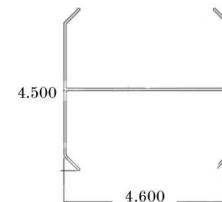
Part Number	Size	Length(In)	Approx. wt/lin ft
101-85-63-72	5" H-Post Stiffener	72	1.83
100-85-63-96	5" H-Post Stiffener	96	1.83
<i>110-85-63</i>	<i>5" H-Post Stiffener</i>	<i>288</i>	<i>1.83</i>

5" H-Post Stiffeners LT (6063 T6 - MILL FINISH)



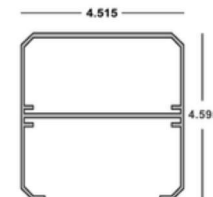
Part Number	Size	Length(In)	Approx. wt/lin ft
LT-100-85-63-70	5" H-Post Stiffener LT	70	1.19
LT-100-85-63-96	5" H-Post Stiffener LT	96	1.19
LT-100-85-63-108	5" H-Post Stiffener LT	108	1.19

5" H-Post Stiffeners MED (6063 T6 - MILL FINISH)



Part Number	Size	Length(In)	Approx. wt/lin ft
MED-100-85-63-94	5" H-Post Stiffener MED	94	1.56

5" A-Post Stiffeners (6063 T6 - MILL FINISH)



Part Number	Size	Length(In)	Approx. wt/lin ft
150-85-63-72-A	5" A-Post Stiffener	72	2.188
150-85-63-96-A	5" A-Post Stiffener	96	2.188
<i>150-85-63-288-A</i>	<i>5" A-Post Stiffener</i>	<i>288</i>	<i>2.188</i>

Available for Mill Order



Round Spindles (6063 T52 Black Powder Coated MATTE)

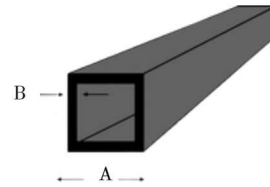


Part Number	Size (Outer Dimension x Wall)	Length(In)	Approx. wt/lin ft
100-130-63-PBL-30	3/4" Rd. x .045" w.	30.5	0.127
105-130-63-PBL-32	3/4" Rd. x .045" w.	32	0.127
106-130-63-PBL-38	3/4" Rd. x .045" w.	38	0.127
<i>110-130-63-PBL-96</i>	<i>3/4" Rd. x .045" w.</i>	<i>96</i>	<i>0.127</i>

Round Spindles (6063 T52 Black Powder Coated GLOSS)

Part Number	Size (Outer Dimension x Wall)	Length(In)	Approx. wt/lin ft
<i>105-130-63-PBL-32</i>	<i>3/4" Rd. x .045" w.</i>	<i>32</i>	<i>0.127</i>
<i>106-130-63-PBL-38</i>	<i>3/4" Rd. x .045" w.</i>	<i>38</i>	<i>0.127</i>
<i>110-130-63-PBL-96</i>	<i>3/4" Rd. x .045" w.</i>	<i>195.5</i>	<i>0.127</i>

Square Spindles (6063 T52 Black Powder Coated MATTE)



Part Number	Size (A x B)	Length(In)	Approx. wt/lin ft
200-130-63-PBL-32	3/4" Sq. x .045" w.	32	0.166
200-130-63-PBL-36	3/4" Sq. x .045" w.	36	0.166
200-130-63-PBL-38	3/4" Sq. x .045" w.	38	0.166
205-130-63-PBL-96	3/4" Sq. x .045" w.	96	0.166

Square Spindles (6063 T52 Black Powder Coated GLOSS)

Part Number	Size (A x B)	Length(In)	Approx. wt/lin ft
<i>200-130-63-PBL-32</i>	<i>3/4" Sq. x .045" w.</i>	<i>32</i>	<i>0.166</i>
<i>200-130-63-PBL-36</i>	<i>3/4" Sq. x .045" w.</i>	<i>36</i>	<i>0.166</i>
<i>200-130-63-PBL-38</i>	<i>3/4" Sq. x .045" w.</i>	<i>38</i>	<i>0.166</i>
<i>205-130-63-PBL-96</i>	<i>3/4" Sq. x .045" w.</i>	<i>96</i>	<i>0.166</i>

Available for Mill Order